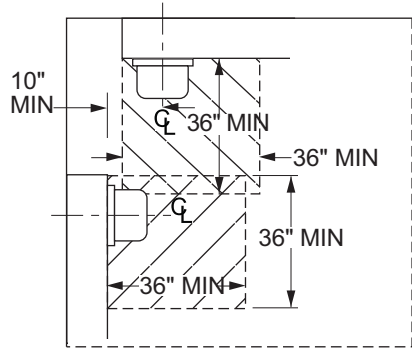
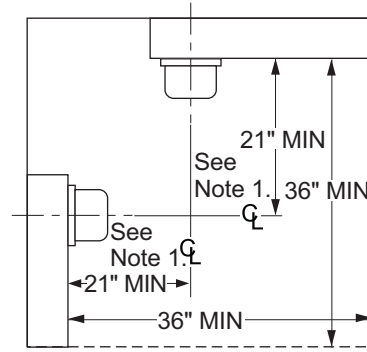


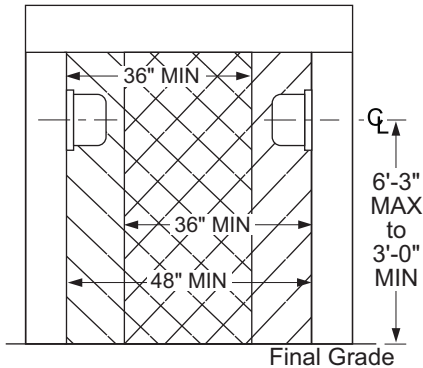
**Figure 3-1: Meter Room Clearances**



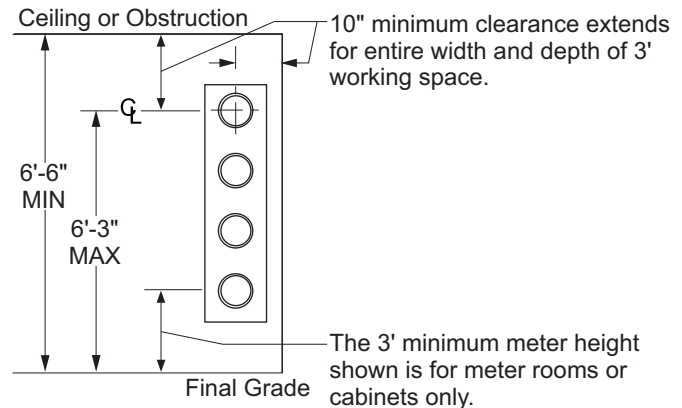
**Exhibit A  
Plan View**



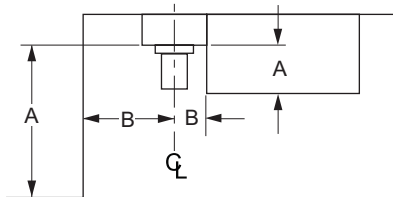
**Exhibit B  
Plan View**



**Exhibit C  
Side View**



**Exhibit D  
Front View**



**Exhibit E  
Plan View**

**Table 3-1: Meter Room — Meter Clearances**

A <sup>a/</sup>	B <sup>b/</sup>
0" to less than 2"	4-1/4"
2" to less than 11"	6-1/4"

**Note(s):**

1. Dimension may be reduced to 17 inches if the socket on either side serves a residential occupancy.