

**Product data sheet**

Specifications



All in one, Homeline, CSED, ringed socket, 200A, semi flush mount, 30 spaces, 42 circuits, 22kA SCCR, no bypass, solar ready

SC3042M200PF

Product availability: Stock - Normally stocked in distribution facility

Price\*: 2,064.00 USD

**Main**

Product Or Component Type	All-In-One
Range Of Product	Homeline
Meter Socket Type	Ringed
Hub Type	A-L

**Complementary**

Line Rated Current	200 A
Number Of Phases	1 phase
Short-Circuit Current	22 kA
Mounting	Semi flush (outdoor)
Number Of Spaces	30
Number Of Circuits	42
Number Of Tandem Breakers	12
Electrical Connection	Lugs, line side Lugs, service ground
Wire Size	AWG 12...AWG 2/0 (aluminum) service ground AWG 4...250 kcmil (aluminum/copper) line side AWG 14...AWG 2/0 (copper) service ground
Tightening Torque	Main lugs 250 lb.in, AWG 4...250 kcmil, aluminum/copper Service ground 50 lb.in, AWG 14...AWG 2/0, copper Service ground 50 lb.in, AWG 12...AWG 2/0, aluminum Branch lugs 50 lb.in, AWG 14...AWG 4, copper Branch lugs 50 lb.in, AWG 12...AWG 2, aluminum Branch lugs 35 lb.in, AWG 6...AWG 4, aluminum/copper Branch lugs 25 lb.in, AWG 8, aluminum/copper Branch lugs 20 lb.in, AWG 14...AWG 10, aluminum/copper Branch lugs 20 lb.in, AWG 12...AWG 10, aluminum/copper Cover 10 lb.in
Disconnect	Service disconnect (factory installed)
Disconnect Rating	200 A
Branch Breaker Rating	200 A
Service Feed Location	LIG OH outdoor
Bypass Type	No bypass

\* OR APPROVED EQUAL

Price in "List Price" and may be subject to a trade discount - check with your local distributor or retailer for actual price.

Jun 25, 2024

Lib In On | Schneider

1

**Sustainability**

Green Premium™ label is Schneider Electric's commitment to delivering products with best-in-class environmental performance. Green Premium promises compliance with the latest regulations, transparency on environmental impacts, as well as circular and low-CO<sub>2</sub> products.

Guide to assessing product sustainability is a white paper that clarifies global eco-label standards and how to interpret environmental declarations.

Learn more about Green Premium >

Guide to assess a product's sustainability >



Transparency RoHS/REACH

**Well-being performance**

Mercury Free	Yes
RoHS Exemption Information	Yes

**Certifications & Standards**

Reach Regulation	REACH Declaration
Eu RoHS Directive	Compliant with Exemptions
China RoHS Regulation	China RoHS declaration Product out of China RoHS scope. Substance declaration for your information.
Environmental Disclosure	Product Environmental Profile
Circularity Profile	No need of specific recycling operations
California Proposition 65	WARNING: This product can expose you to chemicals including: Lead and lead compounds, which is known to the State of California to cause cancer and birth defects or other reproductive harm. For more information go to www.P65Warnings.ca.gov

Jun 25, 2024

Lib In On | Schneider

3

Connections - Terminals	Plug on neutral
Product Compatibility	Solar ready
Width	16.80 in (426.72 mm)
Depth	7.20 in (182.88 mm)
Height	44.37 in (1127.00 mm)
Bus Rating	225.0 A

**Ordering and shipping details**

Category	US1DE3A00148
Discount Schedule	DE3A
Gtin	785901956846
Returnability	Yes
Country Of Origin	MX

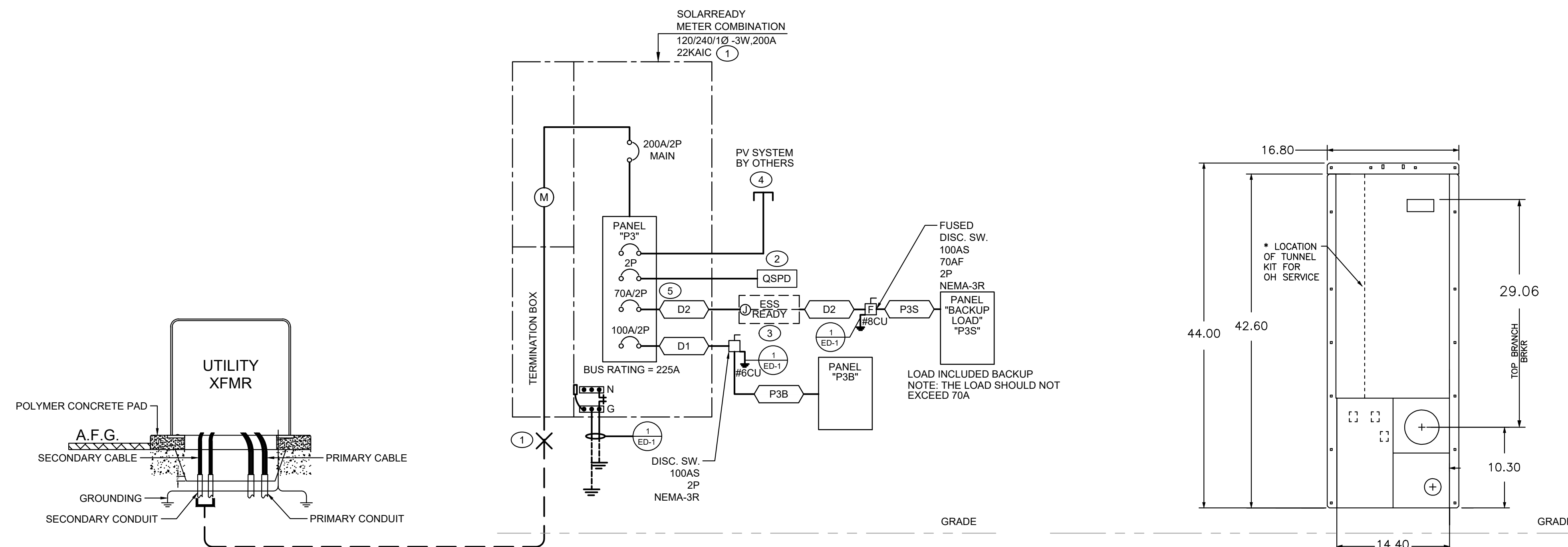
**Packing Units**

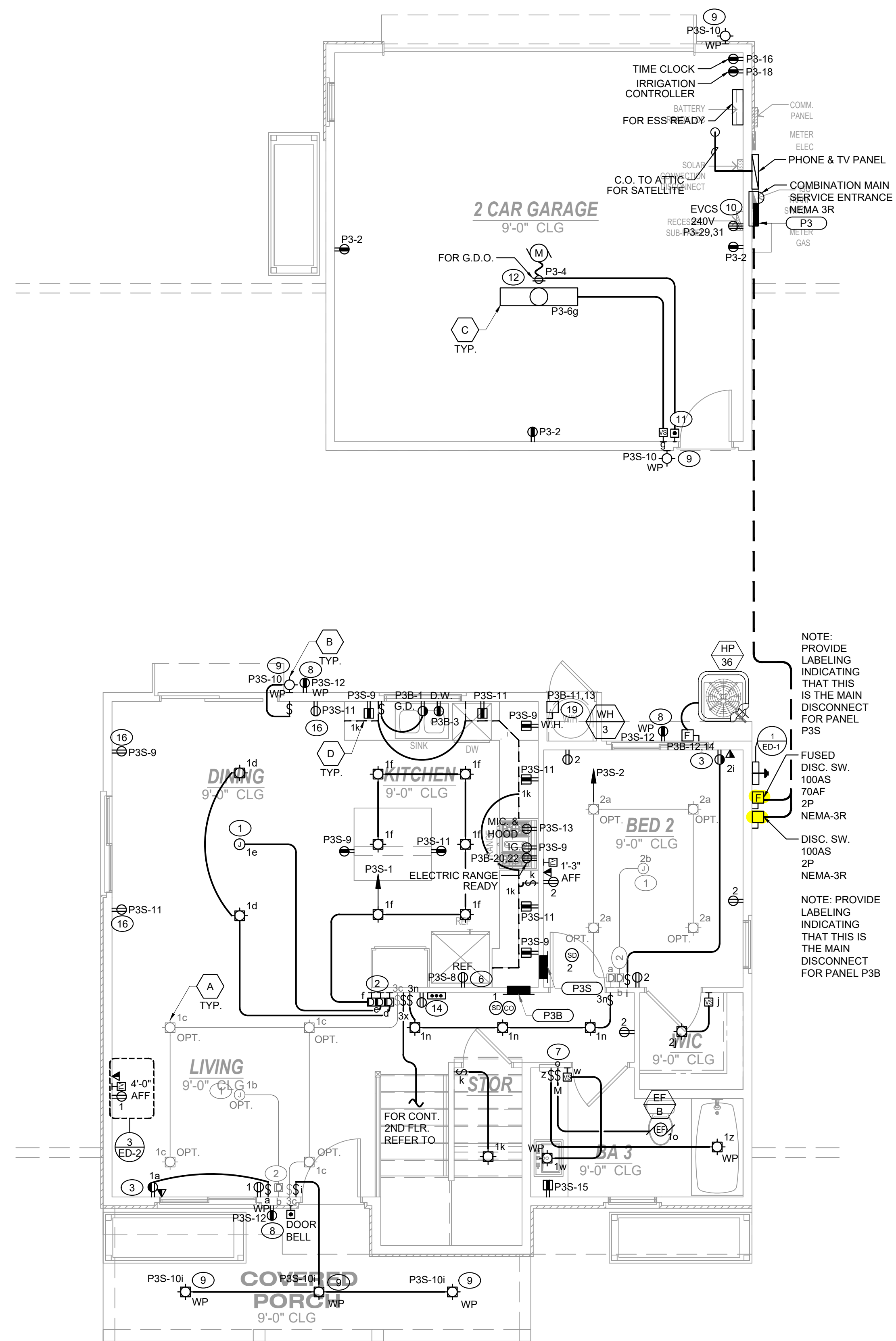
Unit Type Of Package 1	PCE
Number Of Units In Package 1	1
Package 1 Height	7.19 in (18.26 cm)
Package 1 Width	17.19 in (43.66 cm)
Package 1 Length	44.31 in (112.55 cm)
Package 1 Weight	59.70 lb(US) (27.079 kg)
Unit Type Of Package 2	PAL
Number Of Units In Package 2	10
Package 2 Height	40.000000000 in (101.6 cm)
Package 2 Width	44.00 in (111.76 cm)
Package 2 Length	48.000000000 in (121.92 cm)
Package 2 Weight	670.60 lb(US) (304.16 kg)

2

Lib In On | Schneider

Jun 25, 2024





NOTE: PROVIDE LABELING INDICATING THAT THIS IS THE MAIN DISCONNECT FOR PANEL P3S

FUSED DISC. SW. 100AS 70AF 2P NEMA-3R  
 DISC. SW. 100AS 2P NEMA-3R

NOTE: PROVIDE LABELING INDICATING THAT THIS IS THE MAIN DISCONNECT FOR PANEL P3B