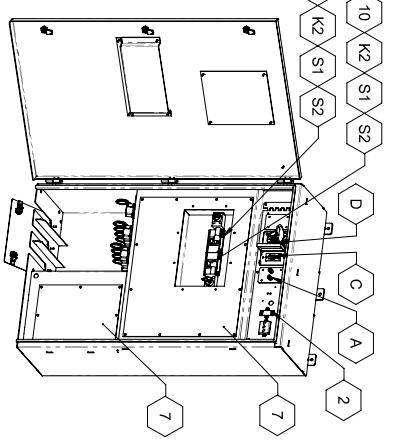
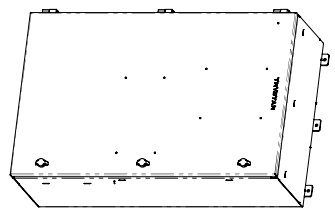
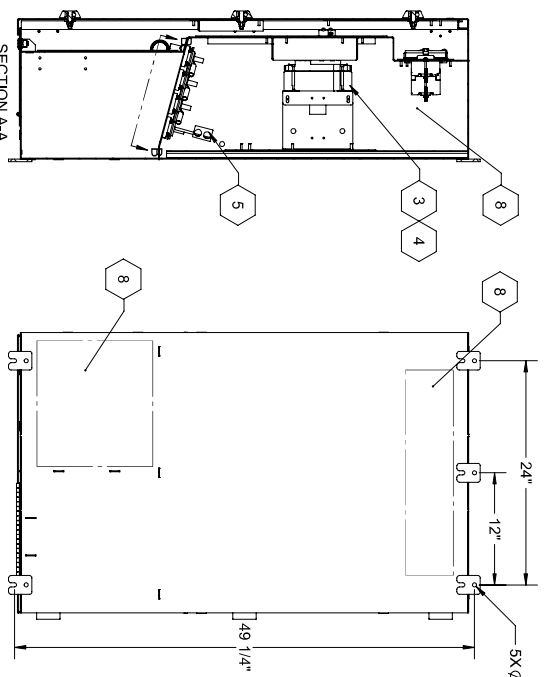
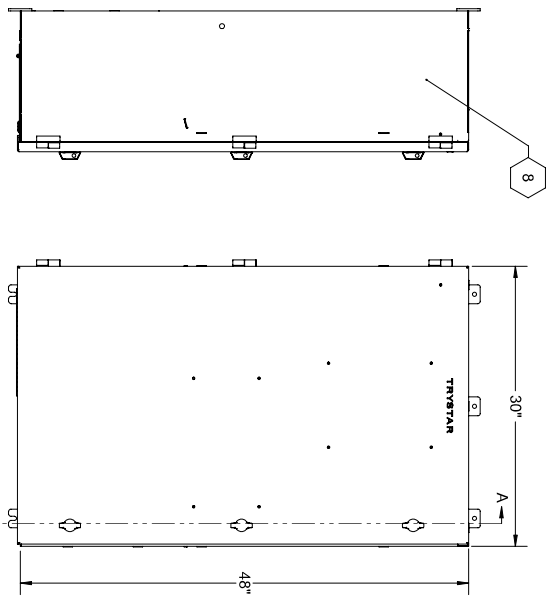
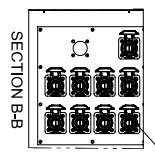
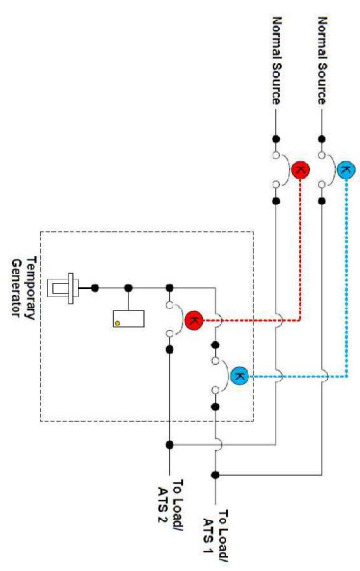
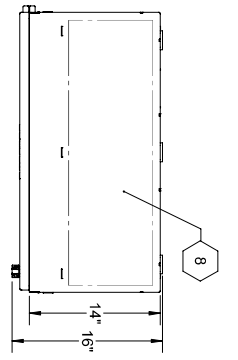


REVISION HISTORY				
REV	DESCRIPTION	ECO	BY	DATE
-01	RELEASE FOR CUSTOMER APPROVAL	N/A	SJD	1/18/2022



- NOTES:
1. NEMA 3R CONSTRUCTION
 2. PHASE ROTATION MONITOR
 3. 1X 350 MCM MECHANICAL LUG TERMINATIONS PER PHASE FOR PERMANENT LOAD 1
 4. 1X 350 MCM MECHANICAL LUG TERMINATION PER PHASE FOR PERMANENT LOAD 2
 5. 1X 350 MCM MECHANICAL LUG TERMINATION PER NEUTRAL AND GROUND PER PERMANENT LOAD 1 AND 2 CONNECTIONS (WIRE RANGE: #6 - 350 MCM)
 6. E1016 SERIES MALE CAMLOCK PANELMOUNTS WITH FLIP COVERS FOR TEMPORARY GENERATOR CONNECTION
 7. REMOVABLE ACCESS PANEL
 8. CONDUIT ENTRY AREA
 9. 1X 225A 3P KIRK KEYPED LOAD 1 CIRCUIT BREAKER
 10. 1X 225A 3P KIRK KEYPED LOAD 2 CIRCUIT BREAKER

Part Number: DBDS-063W-LM-ACDK2S2--

A	AMPACITY (A)	
X	AMPACITY CODE IN PART NO.	600
2	NO. OF CAMLOKS PER PHASE & NEUTRAL	2
1	NO. OF CAMLOKS GROUND	1
1	NO. OF TERMINATIONS PER PHASE (350 MCM)	1
X	VOLTAGE RATING	208/120V (3H + N + G)
3	VOLTAGE CODE IN PART NO.	GN, WT, BK, RD, BE
K	STANDARD CAMLOK COLOR	

OPTION	DESCRIPTION
A	AUTO START
C	20A GFCI DUPLEX RECEPTACLE
D	30A NEMA LS-30 RECEPTACLE
K2	KIRK KEYPED BREAKERS
S1	225A BREAKERS
S2	DUAL LOAD

PROPRIETARY AND CONFIDENTIAL
THE INFORMATION CONTAINED IN THIS DRAWING IS THE SOLE PROPERTY OF TRVSTAR, LLC. ANY REPRODUCTION IN PART OR AS A WHOLE WITHOUT THE WRITTEN PERMISSION OF TRVSTAR, LLC IS PROHIBITED.

UNLESS OTHERWISE SPECIFIED
DIM ARE IN INCHES
TOL ON ANGLE ± 1° FRACTION ± 1/16
1 PL ± 1/32 2 PL ± 016 5 PL ± .010
INTERFERE DIM AND TOL PER
ASME Y14.5M-1994

APPROVALS	DATE
DRAWN: DRWIN/DATE: 1/18/2022	
CHECKED: CHECKED DATE: NDA	
ENG: DATE: 2/2/2021	

15766 ACORN TRAIL, FARBALLT, MN 55921 (607) 535-8999 - (888) TRVSTAR - TRVSTAR.COM	TRVSTAR, LLC
TITLE: 600A 208/120V DUAL BREAKER DOCKING STATION, AUTO START 20A GFCI DUPLEX, 30A NEMA LS-30, 225A 3P KIRK KEYPED LOAD 1 BREAKER, 225A 3P KIRK KEYPED LOAD 2 BREAKER, DUAL LOAD	
SIZE: CAGE CODE DWG. NO. 1N5J6	DBDS-063W-LM-ACDK2S2--
SCALE: 1:10	WEIGHT:
SHEET 1 OF 1	REV -01